

MODEL: FI-48W

Project _____
 Location _____
 Item # _____
 Qty _____

UNDERCOUNTER DISHWASHER

Clear ideas; brilliant results.

Standard Features

- High temperature sanitation to protect your ware from harmful chemicals during final rinse. Your ware will come out cleaner and dryer than conventional sanitation methods.
- Efficient 16 total amp draw and less than 1 gallon water consumption per rack places the FI-48W as the most energy efficient machine in the marketplace.
- Built-in electric booster heater that will raise the temperature 70°F to the NSF required temperature of 180°F for sanitation.
- Unique "Hot Water Assurance" feature which guarantees 180°F final rinse.
- Auto-fill will take the guess work of filling your machine to ensure the proper water levels in your unit at all times.
- This unit is designed to be used as a **Dishwasher or Glasswasher.**
- Heavy duty stainless steel construction, Type 304 for a more durable and longer lasting machine. Unit comes standard with top and side panels.
- Filter system above the water line to keep your tank water cleaner and free from large debris.
- Individual stainless steel anti-clogging wash and rinse arms on both the top and bottom wash systems ensures a better wash for your ware.
- Built-in drain pump, detergent & rinse pumps come standard to give you all the options necessary to run your unit.
- Electrical cord with plug, fill and drain hose included. No hard plumbing required.
- (1) 20" x 20" Flat Rack and (1) 20" x 20" peg racks are included.



Options and Accessories

- CT-10 All purpose rack
- CU-20 Cutlery grid
- CP-16/18 Peg rack
- CV-16/105 Glassrack
- 16" stand
- 6" base w/ legs
- Cutlery Container
- Drain water tempering valve
- Water pressure regulating valve

PERFORMANCE / CAPACITIES

Capacities	
Racks per hour	22
Dishes per hour	550
Glasses / cups per hour	792
Wash Tank	6.6 gal. / 24.9 litre
Water Consumption / Requirements	
Gallons per hr. (Max. use)	19.8 gal. / 74.8 litre
Gallons per cycles	.9 gal. / 3.40 litre
Inlet temperature (Optimum)	140°F / 60°C
Flow rinse pressure	15 – 25 PSI
Wash Pump Motor	
Motor (hp)	1 hp
Temperatures	
Wash	150° F / 66° C
Rinse	190° F / 88° C

Heating	
Electric wash tank heater	2.8 kw
Electric booster heater	2.8 kw
Operating Cycles	
Wash time (seconds)	2 setting (100, 160)
Dwell (seconds)	5
Rinse time (seconds)	15
Total Time (seconds)	2 setting (120, 180)
Dimensions / Shipping	
Width	24 1/4" / 616 mm
Depth	27 1/2" / 698 mm
Height	38 1/2" / 978 mm
Max. clearance for dishes / glasses	12 1/2" / 318 mm
Shipping weight	160 lbs / 73 kg
Shipping volume (cu. ft.)	15

FAGOR



Fagor Commercial, Inc.

12800 N.W. 38th Avenue • Miami, Florida 33054-4525 (USA)
 PH.: (305) 779-0170 • FAX: (305) 779-0173
 Toll Free: 866-GO FAGOR (463-2467)

www.fagorcommercial.com



MODEL: FI-48W

UNDERCOUNTER DISHWASHER

SPECIFICATIONS

- **Construction:** The FI-48W is a fully automatic dishwasher completely constructed of high-quality stainless steel, type 304. Both individual upper and lower wash and rise arms are constructed of stainless steel to ensure a long life span. Adjustable Legs
- **Controls:** Controls are top mounted and accessible for service from the front. Two preset time settings (120 and 180 second) for medium and heavy loads will optimize time and energy. Door safety switch.
- **Filling and heating system:** The power-on switch automatically fills the tanks to the proper level. Wash tank water temperature is maintained by a 2.8 kw element. Pressure switch protects heating elements in case of low water or fail. Built-in 2.8 kw electric booster heater with high limit thermostat to protect from overheating.
- **Hot Water Assurance:** The FI-48W guarantees that the minimum sanitizing temperature of 180°F during the final rinse is achieved regardless of the incoming water temperature. Machine will continue washing up to the rinsing temperature is reached. The rack capacity and cycle time will vary depending on incoming water temperature, voltage of dishmachine and water pressure.
- **Drainage:** Filter system above the water line with removable scrap basket, prevents waste from getting into the washing pumps. Drain pump with built-in dismountable filter, located in the front, for easy cleaning. Built-in vacuum breaker to prevent backflow. Automatic drainage to prevent overflow.

SERVICE CONNECTIONS

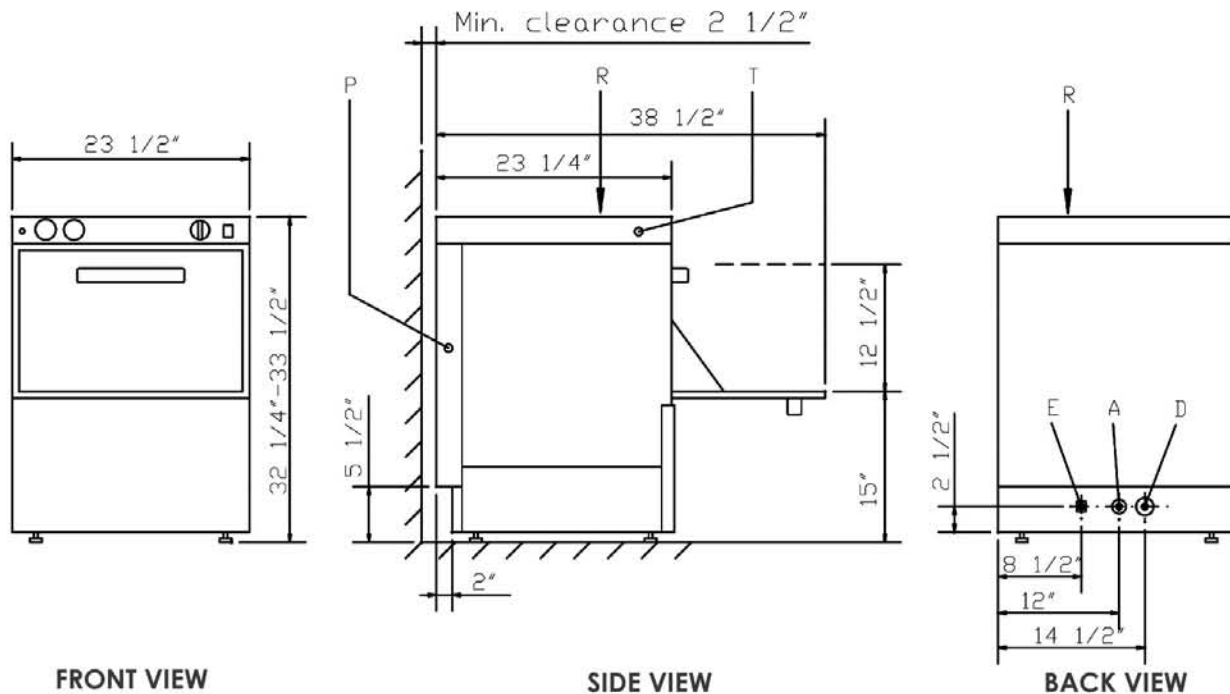
- A** – Water inlet – 3/4" Female hose connector on 5' long flexible hose supplied with machine; Adaptor for 3/4" female garden hose fitting also supplied; 140°F / 60°C Optimum water temperature; 15-25 psi flow rinse pressure.
- D** – Drain – 5' long, 1/2" I.D. flexible hose; Maximum 31 1/2" drain height permitted; Indirect connection to drain pipe.
- R** – Electrical terminal block connection point.
- E** – Electric power supply - 6' long electrical cord supplied with machine

ELECTRICAL AND PRODUCTION LOADS

Volts/Hz/Ph	Amps	
208/60/1	15	
220/60/1	16	
240/60/1	17	

*50 Hz models, consult factory

Incoming Water Temp	140°F	110°F
Aprox. racks per hour	22	22



Caution - Before connecting water to this unit, have water supply analyzed to make sure hardness is not greater than 2.0 grains and pH level is within the range of 7.0-8.5. Water which fails to meet these standards, should be treated by the installation of a water conditioner. EQUIPMENT FAILURE CAUSED BY INADEQUATE WATER QUALITY IS NOT COVERED UNDER WARRANTY.

Warning - Installation should be made by qualified personnel who will observe all specified local codes.



Fagor Commercial, Inc.

12800 N.W. 38th Avenue • Miami, Florida 33054-4525 (USA)

PH.: (305) 779-0170 • FAX: (305) 779-0173

Toll Free: 866-GO FAGOR (463-2467)

www.fagorcommercial.com

The manufacturer reserves the rights to modify materials and specifications without notice. Printed in the USA • 06/07