

# CU3030 – 300 lb Self-contained Ice Machine

Prodigy® Undercounter Cuber with Storage

Preliminary



CU3030

## Features

Prodigy® undercounter cubers use **significantly less energy and water** than other cube ice machines, exceeding California and Federal energy efficiency regulations.

**Auto-Alert™ indicator lights** constantly communicate operating status and actually signal your staff when it's time to descale, sanitize, and more—making upkeep practically foolproof.

The patented **WaterSense adaptive purge control** delivers maximum reliability by reducing scale buildup for a longer time between cleanings.

All external panel components are crafted for **optimal aesthetic appeal** through superior fit and finish.

**Preventative maintenance is simpler** than ever with easily-removed door, top panel and storage bin allowing clear access to all internal components and a diagnostic code display insuring the right fix the first time.

Recessed front panel on/off switch and front removable air filter.

An optional **advanced feature Smart-Board™** provides NAFEM data protocol and additional operational data that can be displayed on-screen or transmitted remotely, resulting in early alert and fast diagnosis of operating issues.

## 24 Hour Volume Production

Air Cooled		
70°F/21°C	Air	ARI
70°F/10°C	Water	90°F/32°C
lb/kg		70°F/21°C
		lb/kg
250/114		217/99

Water Cooled		
70°F/21°C	Air	ARI
70°F/10°C	Water	90°F/32°C
lb/kg		70°F/21°C
		lb/kg
310/141		285/130



Front Air Filter



Front On-Off Switch

## Cube Ice



Small Cube  
3/8" x 3/8" x 3/8"  
(2.22 x 2.22 x .95 cm)

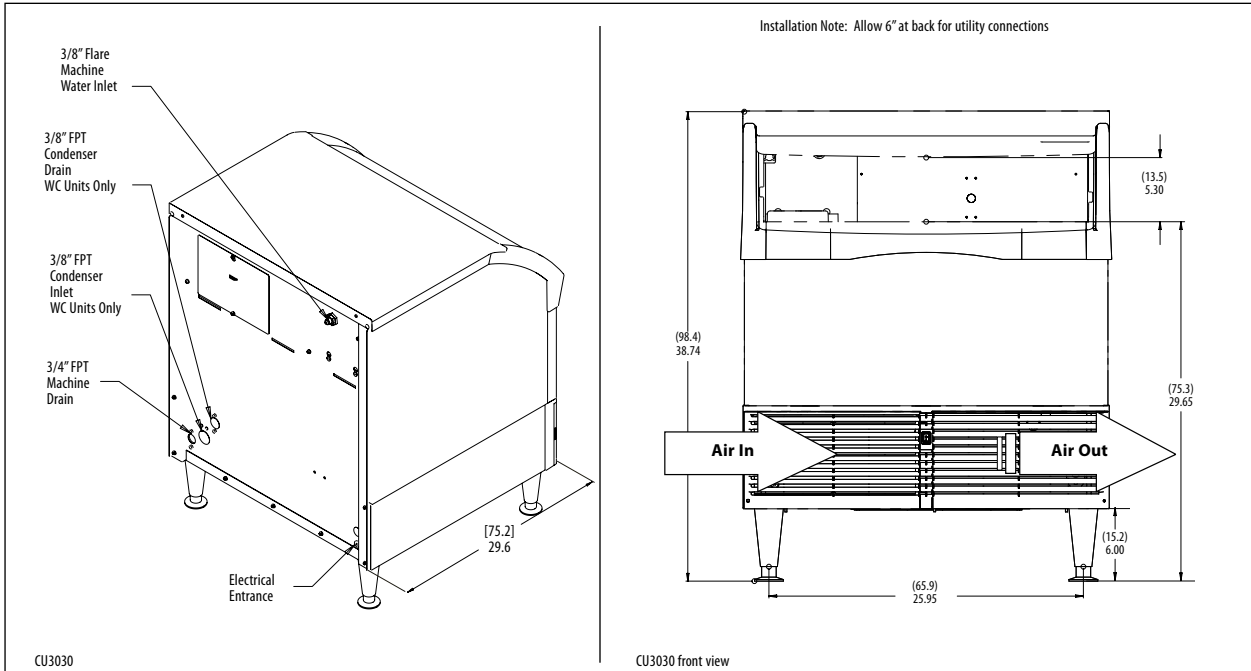
Medium Cube  
7/8" x 7/8" x 7/8"  
(2.22 x 2.22 x 2.22 cm)

Common ice form, ideal for mixed drinks.

## Warranty

- 3 years parts and labor on all components.
- 5 years parts and labor on the evaporator.
- 5 years parts on the compressor and condenser.

Warranty valid in North, South & Central America. Contact factory for warranty in other regions.



## Specifications

Model Number* <small>Cube Size: medium or small</small>	Condenser Unit	Storage lb/kg	Basic Electrical Volts/Hz/Phase	Max. Fuse Size or HACR Circuit Breaker (amps)	Circuit Wires	Min. Circuit Ampacity	Energy Consumption kWh/100 lb (45.4 kg) 90°F(32°C)/70°F(21°C)	Water Usage Gallons/100 lb (liters/45 kg)	
								Potable 90°F(32°C)/70°F(21°C)	Condenser 90°F(32°C)/70°F(21°C)
CU3030MA-1A	Air	110/50	115/60/1	15	2	Cord	8.5	18.0/68.2	-
CU3030MW-1A	Water	110/50	115/60/1	15	2	Cord	5.5	18.0/68.2	180/682
CU3030SA-1A	Air	110/50	115/60/1	15	2	Cord	8.5	18.0/68.2	-
CU3030SW-1A	Water	110/50	115/60/1	15	2	Cord	5.5	18.0/68.2	180/682

\* 208-230/60/1 Voltage - Substitute "-32" in place of "-1", i.e. CU3030SA-32A.

## All Models

Dimensions (W x D x H):  
Unit:  
30" x 30" x 33"  
(76.2 x 70.0 x 83.8 cm)

Shipping Carton:  
32" x 33" x 37"  
(81.3 x 83.8 x 94.0 cm)

Shipping Weight:  
200 lb / 91 kg

BTUs per hour:  
5,200

## Accessories

Model Number	Description
KLP8S	Kit 6 inch legs SS
KSB	Kit Prodigy Smart-Board™ advanced control
KSB-N	Kit Prodigy Smart-Board™ network advanced control
KPUFM30	Kit Prodigy undercounter floor mount 30 inch for CU3030

\* Scotsman recommends all ice machines have water filtration. See Scotsman Sanitation Matrix for details.

## Operating Requirements

	Minimum	Maximum
Air Temperatures	50°F (10°C)	100°F (38°C)
Water Temperatures	40°F (4.4°C)	100°F (38°C)
Remote Cond. Temps	-20°F (-29°C)	120°F (49°C)
Water Pressures	20 PSIG (1.4 bar)	80 PSIG (5.5 bar)
Electrical Voltage	-10%	+10%

Specifications and design are subject to change without notice.