



Designer Series Gas Broilers

Designer Series Gas Broilers

Item: _____
 Quantity: _____
 Project: _____
 Approval: _____
 Date: _____

Models:

- | | | | |
|------------------------------------|------------------------------------|------------------------------------|------------------------------------|
| <input type="checkbox"/> GD-18RB | <input type="checkbox"/> GD-24RB | <input type="checkbox"/> GD-30RB | <input type="checkbox"/> GD-36RB |
| <input type="checkbox"/> GD-18RBFF | <input type="checkbox"/> GD-24RBFF | <input type="checkbox"/> GD-30RBFF | <input type="checkbox"/> GD-36RBFF |

NOTE: Models with suffix "FF" are not available in the United States



Model GD-24RB

Standard Features:

- Stainless steel front and black painted sides
- 4" (102mm) Sanitary legs
- Easy clean design
- 18" (457mm) deep cooking surface
- Cast iron radiants
- Piezo spark ignition
- Hi-Lo control valve
- Rear gas connection w/pressure regulator
- Natural or propane gas
- 45,000, 60,000, 75,000 or 90,000 BTU total input
- "CE" approved models are equipped with Flame-Failure protection and have suffix "FF"

Optional Features:

- Stainless steel sides
- Stainless steel back and bottom
- Broiler splatter guard specify width

Note : Stands are available see form # CS24/CSD

Specifications:

Gas designer series broilers in four widths; models GD-18RB 18" (460mm) wide GD-24RB 24"(610mm) wide GD-30RB 30" (760mm wide) and GD-36RB 36" (914mm) wide. Designed as free standing or to be banked with other GD series equipment. 24" (610mm) deep x 15" (381mm) high, easy clean design with stainless steel front and black painted sides, cast iron radiants, and optional broiler splatter shield. Hi-Lo valve controlled, piezo spark ignition, natural or propane gas, 45,000, 60,000, 75,000 and 90,000 BTU. "CE" approved models are equipped with Flame-Failure protection and have suffix "FF".



Garland Commercial Industries, LLC
 185 East South Street
 Freeland, PA 18224
 Phone: (570) 636-1000
 Fax: (570) 636-3903

Garland Commercial Ranges Ltd
 1177 Kamato Road,
 Mississauga, Ontario
 L4W 1X4 CANADA
 Phone: 905-624-0260
 Fax: 905-624-5669



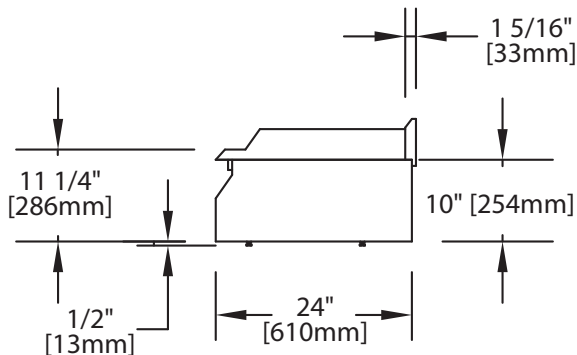
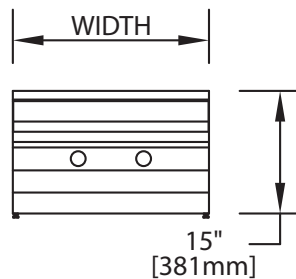
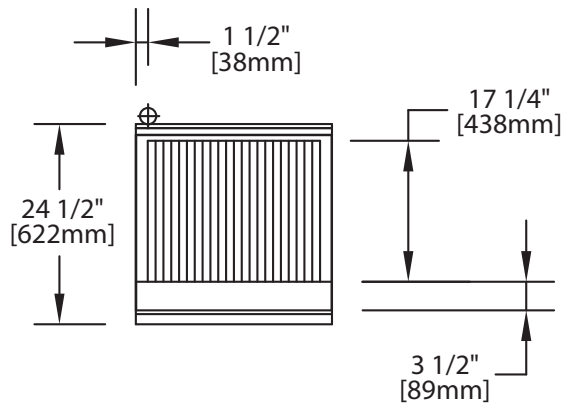
MODEL	Overall Dimensions			Total Input BTU/Kw	Cu. Ft.	Shipping Wt Lb/kg
	Width	Height	Depth			
GD-18RB(FF)	18" (460mm)	15" (381mm)	24" (610mm)	45,000/13.19	8	110/50
GD-24RB(FF)	24" (610mm)	15" (381mm)	24" (610mm)	60,000/17.58	8	150/88
GD-30RB(FF)	30" (760mm)	15" (381mm)	24" (610mm)	75,000/21.98	9	200/91
GD-36RB(FF)	36" (914mm)	15" (381mm)	24" (610mm)	90,000/26.37	11	240/109

Gas Input ratings shown here are for installations up to 2,000 ft. (610m) above sea level. Specify altitudes over 2,000 ft.

Garland products are not approved or authorized for home or residential use, but are intended for commercial applications only. Garland will not provide service, warranty, maintenance or support of any kind other than in commercial applications.

Non Combustible Installation only		Floor or Base
Sides	Back	
0"	0"	Non Combustible

Manifold Inlet Size NPT	Manifold Operating Pressure			
	Natural		Propane	
	"WC	mbar	"WC	mbar
3/4"	4	10	10	24.9



Form# GD-18RB, -24RB, -30RB, -36RB (01/12/09)