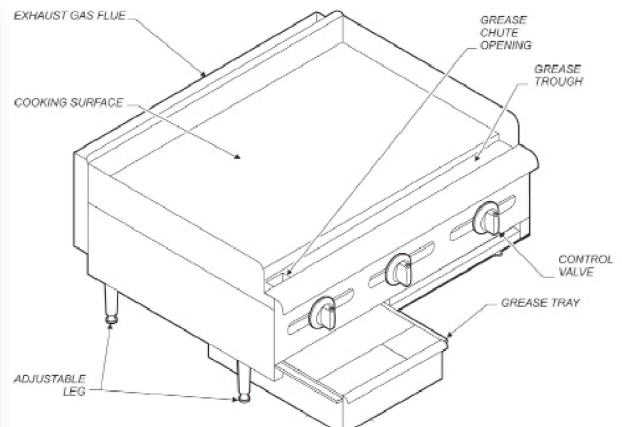


GAS COUNTERTOP HEAVY DUTY THERMOSTATIC CONTROL GRIDDLES HDTG2430G, HDTG3630G & HDTG4830G



(HDTG3630G Shown)



Wells Gas Countertop Heavy Duty Griddles are designed for use with either natural or LP gas. Griddles are factory configured for natural gas and are field convertible to LP gas.

Features

- 300 series stainless steel housing with removable front panel to provide easy access to components.
- Griddle surface is a 3/4" thick, steel plate for even heat distribution, ideal for commercial kitchens.
- Removable, large capacity stainless steel drip drawer provides easy clean-up.
- Each burner has an adjustable air shutter to control primary air and provide optimum combustion.
- Each burner has ON/OFF control valves that provide infinite heat adjustment.
- Heavy duty 4" steel legs.
- Meets ANSI Z83 and NSF International standards.
- One year warranty covers parts and labor.

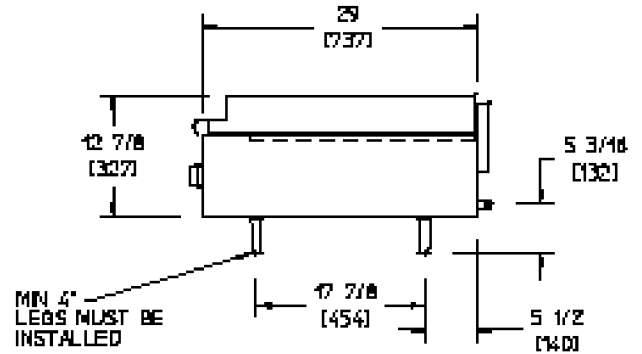
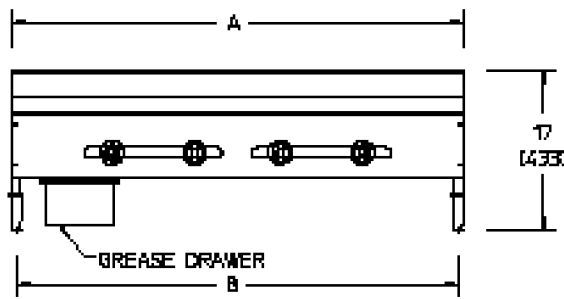
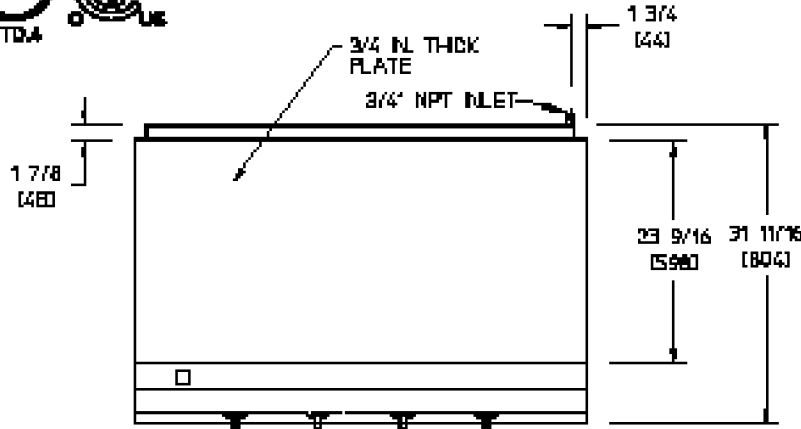
Specifications

Overall Dimensions	Inches	MM
All Models:		
Depth	31 11/16	804
Height (incl. 4" legs)	17	433
Width:		
HDTG2430G	24 1/8	613
HDTG3630G	36 1/8	917
HDTG4830G	48 1/8	1222
Number of burners: 2, 3, or 4		
Weights		
HDTG2430G Installed	199	90
Shipping	249	113
HDTG3630G Installed	287	130
Shipping	396	180
HDTG4830G Installed	393	178
Shipping	507	230

Accessories/Options

20563 Legs, set of 4, 4" adjustable nickel plated alloy





DIMENSIONS: [INCH]
[MM]

NOTE: Specifications are subject to change without notice and are not intended for installation purposes. See installation instructions at www.wellsbloomfield.com prior to installing unit.

MODEL	BTU RATINGS		DIMENSION	
	NATURAL GAS BTU W.G.	LP GAS BTU W.G.	"A"	"B"
HDTG-2430G	60,000	60,000 *	24 1/8 [613]	23" [584]
HDTG-3630G	60,000	60,000 *	38 1/8" [972]	25" [635]
HDTG-4830G	120,000	120,000 *	48 1/8" [1222]	27" [686]

* PROPANE CONVERSION KIT INCLUDED WITH EACH GRIDDLE

MINIMUM CLEARANCE FROM NON-COMBUSTIBLE SURFACES			
BACK	SIDE	BOTTOM	FRONT
0	0	4	0
[0]	[0]	[102]	[0]

Wells Bloomfield, LLC
 10 Sunnen Dr, St. Louis, MO 63143 U.S.A.
 U.S.A.: (800) 807-9285 • Main Fax (800) 264-6666
 Canada & Export: (314) 781-2777 • (800) 264-7827 • Fax (314) 781-3636
www.wellsbloomfield.com
 © 2010 Wells Bloomfield• Printed in the U.S.A.
 02/10 • No. 307037 (-) ECN-13129

Wells Bloomfield, LLC
 10 Sunnen Dr, St. Louis, MO 63143 U.S.A.
 U.S.A.: (800) 807-9285 • Main Fax (800) 264-6666

